



# ECONEXT<sup>®</sup>

## HEAT PUMP COVER

STYLISH PREFABRICATED AND CUSTOMISED  
SPLIT-UNIT OR MONOBLOCK COVERS FOR  
NEW BUILDS AND RENOVATION PROJECTS



[www.coxgeelen.com](http://www.coxgeelen.com)

[www.skoberne.de](http://www.skoberne.de)



Cox Geelen





In our workshop heat pumps are being connected.



Loading the Prefab-units.



Unloading directly on the building site.



On request, the units are even supplied with lifting straps.



Finishing on the roof and connection indoors.

## FINISHED PROJECTS



Roof upstand with roof pitch precisely tailored to 1°.



Combined with solar panels.



Thatched roof.

## ECONEXT® HEAT PUMP COVER

**Cox Geelen offers a suitable solution for every project and for every roof a suitable cover.**

The idea of placing the split-unit or monoblock of the air source heat pump on the roof dates back to 2013. In practice, the demand for a prefabricated heat pump cover arose due to lack of space and noise pollution. As producer of prefab chimneys, Cox Geelen developed, together with the industry, a prefab cover in which split-units or monoblocks can be preinstalled. Due to the high positioning, residents can experience 10 dB(A) less noise on the ground. An additional advantage is that when renovating, the units can be installed close to the original hot water unit. Our customer base includes renowned manufacturers of heat pumps and air conditioning systems, such as ATAG, Mitsubishi, Remeha, Toshiba, Daikin and Nefit. Split-unit heat pump covers are designed and manufactured in-house at Cox Geelen on demand. The covers have to fit perfectly around the heat pump's outdoor unit to achieve maximum noise reduction. Standard is a water outlet (condensation/melt water) and an inlet for refrigerant pipes and solar panel cables provided. Furthermore, there is the option of also using the cover also for Mechanical Ventilation, Heat Recovery air in/outlet and sewer ventilation.

## HOW IT WORKS ?

**Custom-made split-unit heat pump cover for any brand/type of heat pump, roof pitch and RAL color.**

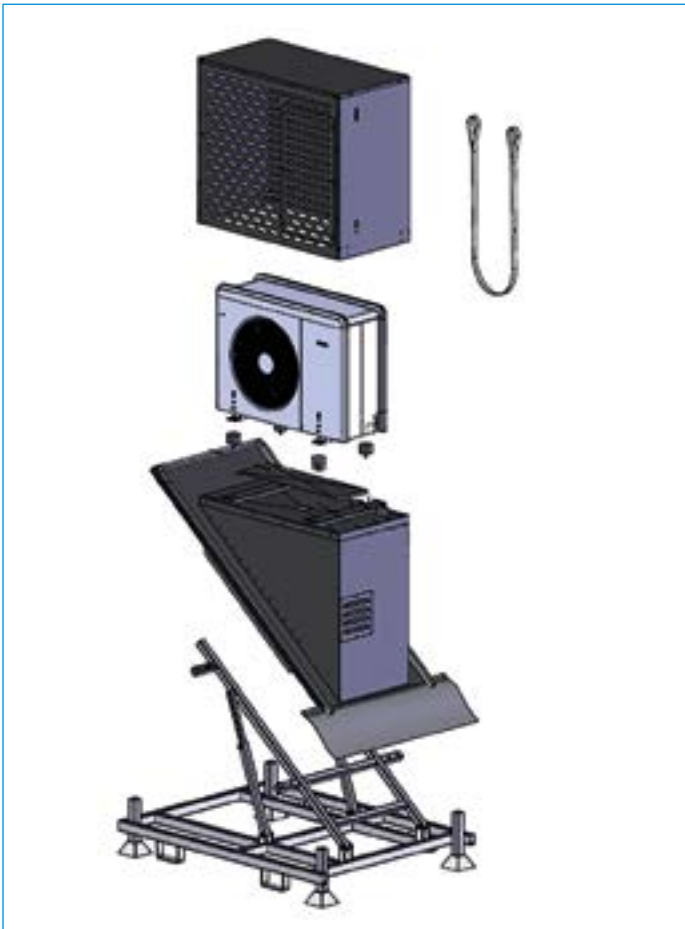
Our R&D engineers base their calculation on your specifications and provide a design proposal, accompanied by a technical drawing. A fitting proposal in 3 steps, it's that simple.

- Custom -made in 3 steps
- Brand and type heat pump
  - Roof pitch
  - RAL colour

	STANDARD	PLUS	COMPLETE
ECONEXT® heat pump cover customized for your brand and type of heat pump, incl. condensate drain and pipe lead-through	✓	✓	✓
ECONEXT® heat pump cover customized for your roof construction and roof pitch	✓	✓	✓
Colour RAL 9005	✓	✓	✓
RAL colour of choice*	✗	✓	✓
Connection of mono/split heat pump by your own technicians at Cox Geelen	✗	✓	✗
Connection of mono-/split heat pump (cooling and electrical) incl. connection material and silencers, by Cox Geelen	✗	✗	✓
Delivery on euro pallet in parts	✓	✗	✗
Mounted on a solid deposit-transport base, incl. transport insurance and lifting straps for a safe mounting on the building site	✗	✓	✓
Delivery or partial delivery directly to the site on demand according your own schedule	✗	option	option

\* Surcharge on request, for minimum order quantities

## TECHNICAL DETAILS



### A perfect fitting Prefab heat pump cover

- Optimized for your brand and type of heat pump.
- Roof pitch accurate to 1°.
- Roof upstand for any roof type, also on ridge or gable end.
- Position and height of inspection hatch adjusted to heat pump model.
- Standard supplied in the colour matt black, other RAL colours on request.

### Features Prefab heat pump cover

- Standard water drainage (condensation/melt).
- Passage for refrigerant pipes and solar panel cables.
- Optional use also for MV, Heat Recovery in/outlet and sewer venting.
- Eco-friendly lead free flashing in black or terracotta.
- Supplied on unique transport base, with lifting straps on request.

## Skoberne GmbH

Ostendstrasse 1 • 64319 Pfungstadt • Deutschland

T +49 (0) 6157 80700 • F +49(0) 6157 8070 70 • info@skoberne.de • www.skoberne.de

Registergericht: Amtsgericht Darmstadt HRB 3912

## Cox Geelen bv

Emmastraat 92 • 6245 HZ Eijsden • PO-Box 6 • 6245 ZG Eijsden • The Netherlands

T +31 (0)43 40 99 500 • sales@coxgeelen.com • www.coxgeelen.com

Chamber of Commerce Limburg 14608324

